

# ELECTRICAL MATERIALS COMPANY

Products for the Utility Industry

145 ELIZABETH LANE, GENOA CITY, WI 53128  
(262) 279-3812 FAX (262) 279-6824  
EMAIL: EMC@ELECTRICALMATERIALSCOMPANY.COM

## GUY MARKER - PLASTIC

D-1

The EMCO plastic marker guard is made of high density UV stabilized polyethylene which is differentially stressed for patented "bear hugging" action, when installed over a guy wire and dead end fitting. This material has excellent color retention and non-embrittling properties and performs well in extreme hot/cold temperature conditions.

The EMCO guard provides durable, high impact, economical protection for exposed guy wires, dead end fittings, and anchor rods. We have over 30 million guy guards in service since 1976 and they continue to be one of our most popular items.

### FEATURES

- Available in four diameters to cover wide range of anchor rods and associated fittings.
- Wraps around the guy strand, fittings and anchor rod with 30 - 50% overlap.
- Standard length is 8' other lengths available on special order.
- REA Listed



# ELECTRICAL MATERIALS COMPANY

Products for the Utility Industry

145 ELIZABETH LANE, GENOA CITY, WI 53128  
 (262) 279-3812 FAX (262) 279-6824  
 EMAIL: EMC@ELECTRICALELECTRICALMATERIALSCOMPANY.COM

## GUY MARKER ATTACHMENTS:

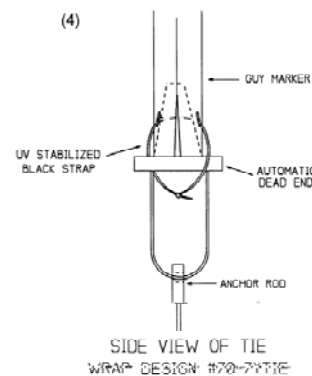
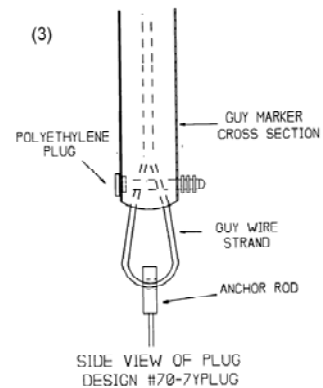
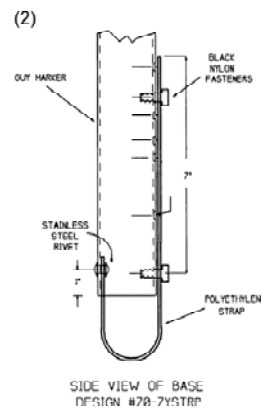
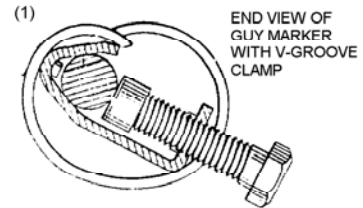
1) Stainless V-Groove clamp with stainless steel rivet. The Stainless bolt has a nylon cap to protect against guy strand damage. This clamp accommodates guy strand ranges of 1/4" through 5/8" diameter. To order stainless clamp, use

catalog # shown in table. For example, yellow 1.75" diameter with stainless clamp: #70-7Y.

2) Polyethylene strap which accommodates various lengths attachments to anchor rod or guy strand grip. See catalog number description below. To order strap, use catalog # in table and add the suffix STRP. For example, yellow 1.75" diameter with strap: #70-7YSTRP.

3) Polyethylene plug which permits attachment to guy strand grip. To order plug, use catalog # in table and add the suffix PLUG.

4) UV stabilized black tie wrap which permits easy, flexible and economical attachment. To order tie wrap, use catalog # in table and add the suffix TIE.



Cat.# For Suffix See Below	Color	Wall Thickness Mils	Initial Diameter Inches	Length Ft.	Ctn. Qty.	Lbs. Per Ctn.
70-7(G) (Y) (O)	Gray Yellow Orange	60	1.75	8	25	33
70-7YORS STRIPED	Yellow & Orange	60	1.75	8	25	33
70-6(G) (Y)	Gray Yellow	65	2.75	8	25	51
70-8 (Y) M	Yellow	50	4.0	8	-	-

70-9 (Y)	Yellow	150	6.6	8	-	-
----------	--------	-----	-----	---	---	---

- ✓ For NO attachments, use catalog # in table and add suffix WOC. For example, yellow 1.75" diameter without attachments: #70-7YWOC.